

Programmable Logic Controllers

EH-150 Series

Modular Compact PLC

HITACHI
Inspire the Next



- Various communication options
- Economic
- Various models
- Individually adaptable to customer requirements thanks to high-performance CPU and specialised I/O modules
- Up to 3520 I/Os
- 2 serial interfaces
- Quality assurance to ISO 9001 and ISO 14001
- 32 Bit-RISC-Microprocessor
- Open for various fieldbus systems: Profibus-DP, DeviceNet, Modbus-RTU, Ethernet

PROFI
PROCESS FIELD BUS
BUS

DeviceNet.

Ethernet



Programmable Logic Controllers

EH-150 Series

Modular Compact PLC

CPU Modules

| Model | Specifications |
|------------|--|
| EH-CPU104A | 16 kByte Program memory, 2 x RS-232 (19.2 kbps), max. 8 I/O modules, 1 μ s cycle time |
| EH-CPU208A | 32 kByte Program memory, real-time clock, 2 x RS-232 (38.4 kbps), max. 16 I/O modules, 1 μ s cycle time |
| EH-CPU316A | 64 kByte Program memory, real-time clock, 1 x RS-232 + 1 x RS-422/485, max. 16 I/O modules, communication module control function, memory card control function, 1 μ s cycle time |
| EH-CPU516 | 64 kByte Program memory, real-time clock, 1 x RS-232 + 1 x RS-422/485, max. 33 I/O modules, communication module control function, memory card control function, 0.1 μ s cycle time |
| EH-CPU548 | 192 kByte Program memory, real-time clock, 1 x RS-232 + 1 x RS-422/485, max. 55 I/O modules, communication module control function, memory card control function, 0.1 μ s cycle time |

Memory Cards

| Model | Specifications |
|---------|--|
| EH-MEMP | Memory copy function, 192 kByte Flash memory |
| EH-MEMD | Memory copy function, 64 kByte flash memory, 384 kWord flash data memory |

Base Racks

| Model | Specifications |
|----------|---|
| EH-BS3A | Slots for 3 I/O modules + power supply module + CPU module |
| EH-BS5A | Slots for 5 I/O modules + power supply module + CPU module |
| EH-BS8A | Slots for 8 I/O modules + power supply module + CPU module |
| EH-BS11A | Slots for 11 I/O modules + power supply module + CPU module |

Power Supplies

| Model | Specifications |
|--------|--|
| EH-PSA | Input AC 100 - 240V, Output DC 5V, 3.8A, separate, external DC 24V, 0.4A |
| EH-PSD | Input DC 24V, Output DC 5V, 3.8A |

I/O Controller

| Model | Specifications |
|----------|--|
| EH-IOCH2 | I/O controller module, (one unit / one expansion base, EH-CPU104A is not expandable) |
| EH-IOCP | Profibus-DP slave I/O controller |
| EH-IOCD | DeviceNet slave I/O controller |

High Function Modules

| Model | Specifications |
|---------|--|
| EH-CU | High speed counter module, max. 100 kHz, 32 bits, 2 channels |
| EH-CUE | High speed counter module, max. 100 kHz, 32 bits, 1 channel |
| EH-POS | 1 Axis positioning module, max. frequency 400k pulse/s |
| EH-POS4 | 4 Axes positioning module, max. frequency 1M pulse/s |



Series

Communication Modules

| Model | Specifications |
|---------------|--|
| EH-SIO | Serial communication module (RS-232C/RS-422/485, Hi-Protocol, Modbus master/slave protocol) |
| EH-LNK | CPU Link module, coaxial cable |
| EH-RMD | DeviceNet based master module for distributed I/O system, 1024 points per master module, 63 slave stations can be connected to one master |
| EH-RMP | Profibus-DP based master module for distributed I/O system, 1024 points per master module, 124 slave stations can be connected to one master |
| EH-ETH | Ethernet module TCP/IP/, UDP/IP protocol, 10Mbps |

Analog Output Modules

| Model | Specifications |
|-----------------|---|
| EH-AY4I | Analog output, 12 bits resolution 4ch current (4 - 20 mA) |
| EH-AY4V | Analog output, 12 bits resolution 4ch voltage (0 - 10 V) |
| EHAY4H | Analog output, 12 bits resolution 4ch voltage (-10 to + 10V) |
| EH-AY22 | Analog output, 12 bits resolution 2ch current (4 - 20 mA) + 2ch voltage (0 - 10 V) |
| EH-AY2H | Analog output, 12 bits resolution 2ch voltage (-10 to +10V) |
| EH-AYH8M | Analog output, 12 bits resolution 8ch [voltage (0 - 10V), or current (0 - 22mA, 4 - 22mA)] |

Output Modules

| Model | Specifications |
|------------------|--|
| EH-YT8 | 8 points, DC 12/24V, transistor output, removable terminal block, sink type, 0.5 A |
| EH-YT16 | 16 points, DC 12/24V, transistor output, removable terminal block, sink type, 0.5 A |
| EH-YT32 | 32 points, DC 12/24V, transistor output, connector type, sink type, 0.2 A |
| EH-YT32E | 32 points, DC 12/24V, transistor output, european connector type, sink type, 0.2 A |
| EH-YT64 | 64 points, DC 12/24V, transistor output, connector (2x) type, sink type, 0.1 A |
| EH-YTP8 | 8 points, DC 12/24V, transistor output, removable terminal block, source type, 0.5 A |
| EH-YTP16 | 16 points, DC 12/24V, transistor output, removable terminal block, source type, 0.5 A |
| EH-YTP16S | 16 points, DC 12/24V, Transistor Output, Removable Terminal Block, Source Type, 0.8 A, short circuit protection |
| EH-YTP32 | 32 points, DC 12/24V, transistor output, connector type, source type, 0.2 A |
| EH-YTP32E | 32 points, DC 12/24V, transistor output, european connector type, source type, 0.2 A |
| EH-YTP64 | 64 points, DC 12/24V, transistor output, connector (2x) type, source type, 0.1 A |
| EH-YS4 | 4 points, AC 100 - 240V, 0.5 A, SSR, photocoupler isolation, removable terminal block |
| EH-YR12 | 12 points, AC 100 - 240 / DC 24V, relay output 2 A, photocoupler isolation, removable terminal block |
| EH-YR16 | 16 points, AC 100 - 240 / DC 24V, relay output 2 A, photocoupler isolation, removable terminal block |
| EH-YR8B | 8 points, AC 100 - 240 / DC 24V, relay Output 2 A, photocoupler isolation, removable terminal block, potential free contacts |

es EH-150



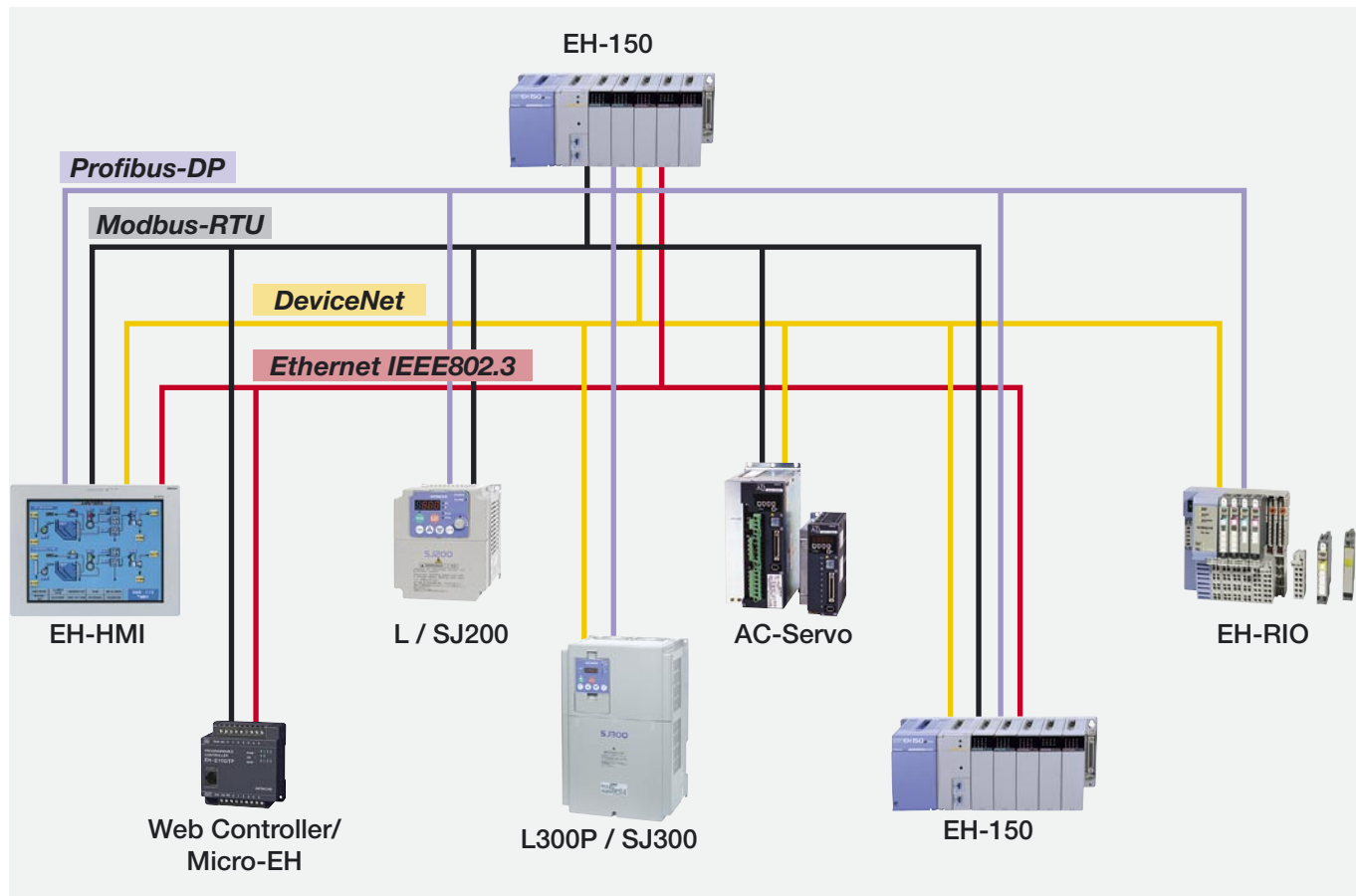
Analog Input Modules

| Model | Specifications |
|-----------------|--|
| EH-AX44 | Analog input, 12 bits resolution 4ch current (4 - 20 mA) + 4ch voltage (0 - 10 V) |
| EH-AXH8M | Analog input, 14 bits resolution, 8ch [voltage (0 - 10V, -10V to + 10V) or current (0 - 22 mA, 4 - 22 mA)] |
| EH-PT4 | PT100/1000 input, 4ch, 12 bits resolution |
| EH-TC8 | Thermocouple input module, 8 channels, type K, E, J, T, B, R, S, N |

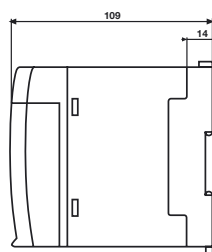
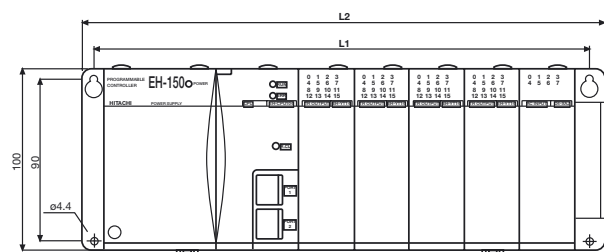
Input Modules

| Model | Specifications |
|-----------------|---|
| EH-XD8 | 8 points, DC 24 V input, source/sink, photocoupler isolation, removable terminal block |
| EH-XD16 | 16 points, DC 24 V input, source/sink, photocoupler isolation, removable terminal block |
| EH-XD32 | 32 points, DC 24 V input, source/sink, photocoupler isolation, connector type |
| EH-XD32E | 32 points, DC 24 V input, source/sink, photocoupler isolation, european connector type |
| EH-XD64 | 64 points, DC 24 V input, source/sink, photocoupler isolation, connector (2x) type |
| EH-XA16 | 16 points, AC 85 - 132 V input, photocoupler isolation, removable terminal block |
| EX-XAH16 | 16 points, AC 170 - 264 V input, photocoupler isolation, removable terminal block |

Communication Possibilities EH-150



EH-150 Series Dimensions



Unit: mm

| Type | EH-BS11A | EH-BS8A | EH-BS5A | EH-BS3A |
|-----------------|----------|---------|---------|---------|
| I/O slot number | 11 | 8 | 5 | 3 |
| L1 mm | 447 | 357 | 267 | 207 |
| L2 mm | 462.5 | 372.5 | 282.5 | 222.5 |

Hitachi Europe GmbH
Niederkasseler Lohweg 191 · D-40547 Düsseldorf
Tel. +49-211-52 83 -0
Internet: www.hitachi-ds.com
E-Mail: automation.industrial@hitachi-eu.com

Hitachi Europe s.r.l.
Sede operativa ICEG-IT:
Via Ghisalba 13
20021 Ospiate di Bollate (MI) - Italy
Tel: +39 02 3500101
iceg-it@hitachi-eu.com
www.hitachi-da.it